

# Nuclear Technologies – Cranes and Components

We deliver high-level lifting

We develop specific mechanical and electrical engineering solutions for crane systems, transport solutions, and special components. In the field of nuclear technology, this is accomplished in accordance with national and international regulations for the safe handling of radioactive materials.



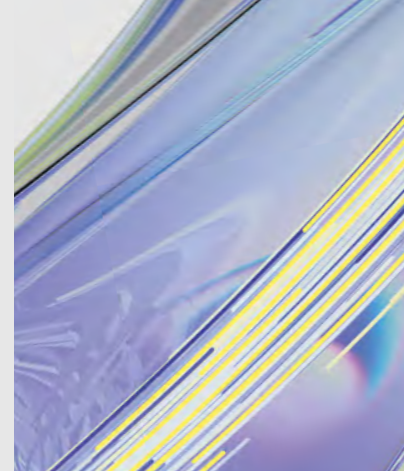
Iqony offers modern, technical, and cost-effective solutions that meet the specific safety requirements of nuclear technology. With a multitude of successfully realized national and international projects, Iqony is an experienced partner for implementing complex tasks related to lifting, moving, and shielding.

In addition to the construction of complete new facilities, we also carry out the upgrading of existing facilities. Through the replacement of electrical and control components, combined with mechanical upgrading, we ensure, that the facilities are state of the art.

The maintenance and repair of existing facilities through individual service offerings, such as regular inspections, recurring tests, and component maintenance throughout their entire lifecycle, are also part of our service portfolio.

Iqony has developed expertly qualified concepts tailored to the specific individual requirements, which, combined with the plant-specific demands, result in an economical solution. The prevention of load dropping, as required by the KTA regulations in Germany, is managed through the combination of various measures, including the use of double hoisting chains. The lifting process can be executed safely.

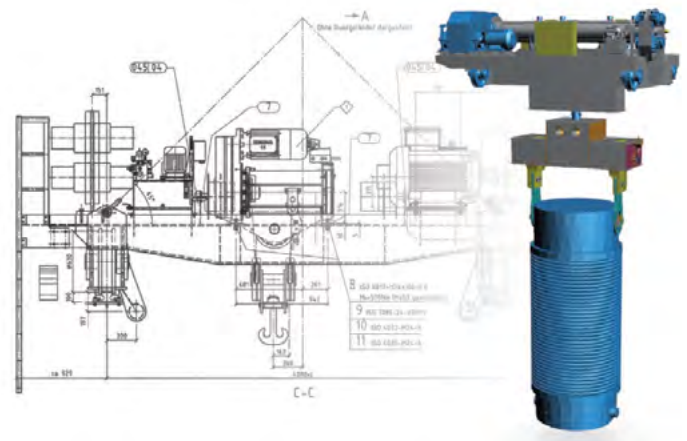
# Solutions for cranes, transport systems, and components in nuclear technology. Competence in planning, manufacturing, assembly, and commissioning.



In addition to providing new crane systems, Iqony has extensive experience in the mechanical and electrical upgrading of existing crane installations in order to fulfill the latest technological standards and requirements. Due to our broad range of experiences we can ensure a high availability of the facility through short conversion times.



Cranes, transport systems, and special components in the nuclear sector require special measures concerning structural elements, control systems, proof documentation, and regulatory compliance. Iqony takes care of the complete static and mechanical calculations, as well as the structural planning, delivery, and installation according to the technical and regulatory requirements.



## Our range of services

- Designing the hoists with a double hoisting chain or a hoisting chain with a safety brake
- Development of safe control systems from the initial design to the fully operational complete facility (including all required documentation, calculations, and expert approvals)
- Software development and validation with module and integration testing conducted prior to commissioning
- Analysis /assessment of existing facilities, as well as planning and implementation of necessary upgrading measures as a complete package (including technical support during the approval process)
- Consideration of electromagnetic compatibility (EMC)

## Experience that pays off

The interdisciplinary knowledge and extensive experience of our engineering team emerge from multitude successfully completed projects:

- Replacement of 2 crane systems at the Jülich facility
- Replacement of the interim storage cranes at the Grundremmingen and Biblis nuclear power plants
- Replacement of the interim storage cranes in Neckarwestheim and Philippsburg
- Upgrading of the machine hall cranes in Leibstadt
- Conversion of the semi-gantry crane and other systems in Brokdorf
- Conversion of several crane systems at the Krümmel nuclear power plant
- Storage cranes at Urenco Germany

## Contact persons

Marc Wiedermann  
P +49 201 801-2239  
marc.wiedermann@iqony.energy

Sergej Bastron  
P +49 201 801-2281  
sergej.bastron@iqony.energy